



Doc. No.	NDP 027M-38
----------	-------------

MAINTENANCE MANUAL

YAMADA AIR-OPERATED DOUBLE DIAPHRAGM PUMP

NDP-40 series

NDP-50 series

NDP-80 series

WARNING



- For your own safety, be sure to read these procedures carefully before performing maintenance on this product. After reading this document, be sure to keep it handy for future reference.

This maintenance manual covers what you should know about maintenance of the Yamada NDP-40 series, NDP-50 series and NDP-80 series Diaphragm Pumps.

This edition is based on the standards for the May 2015 production run. Remember, the specifications are always subject to change; therefore, some of the information in this edition may not apply to new specifications.

Warnings and Cautions

For safe use of this product, be sure to note the following: In this document, warnings and cautions are indicated by symbols. These symbols are for those who will operate this product and for those who will be nearby, for safe operation and for prevention of personal injury and property damage. The following warning and caution symbols have the meanings described below. Be sure to remember their meanings.



WARNING : If you ignore the warning described and operate the product in an improper manner, there is danger of serious bodily injury or death.



CAUTION : If you ignore the caution described and operate the product in an improper manner, there is danger of personal injury or property damage.

Furthermore, to indicate the type of danger and damage, the following symbols are also used along with those mentioned above:



This symbol indicates a DON'T, and will be accompanied by an explanation on something you must not do.



This symbol indicates a DO, and will be accompanied by instructions on something you must do in a certain situation.

WARNING



- Before starting maintenance work, cut off the feed air and clean the pump. If air pressure or residue remain in the pump, there is danger of explosion, or possible poisoning resulting in serious injury or death if chemicals adhere to the skin or are accidentally swallowed. (For details on cleaning the pump, refer to Chapter 6 of the Operation Manual.)



- When replacing parts, be sure to use the recommended genuine parts or Equivalents. Use of other parts may cause a malfunction of the product. (Refer to Exploded View and Reminder to order correct item on the separate sheets.)

CAUTION



- When it is instructed that special tools must be used, be sure to use the specified tools. Otherwise, the pump may be damaged.



- Refer to 10.1 "Specifications" in the Operation Manual. Also, remember that the pump is heavy, and extreme care must be taken when lifting it.

Table of Contents

·Warnings and Cautions

·Table of Contents

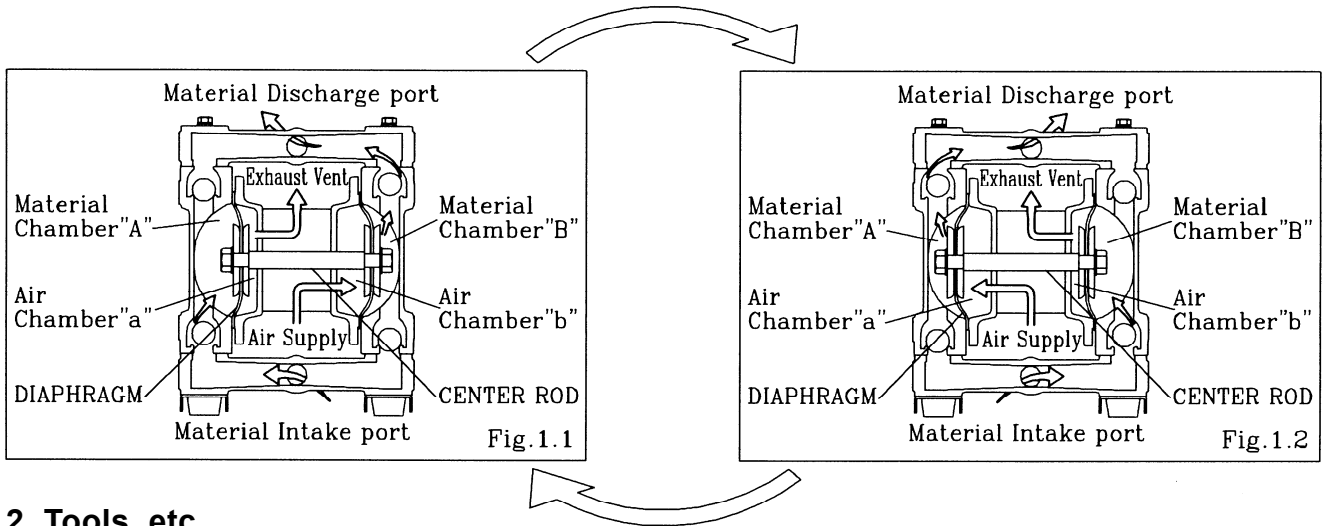
1. Principles of operation	1
2. Tools, etc.	
2.1 General tools	1
2.2 Special tools	1
2.3 Misc.	1
3. Ordering Replacement parts	1
4. Balls and Valve seats	
4.1 Removal	
■BA_, BS_, BF_ types	2
■NDP-40 BP_·BV_ type	3
■NDP-50 BP_·BV_, NDP-80 BP_ types	4
4.2 Inspection	5
4.3 Installation	5
5. Diaphragm and Center rod	
5.1 Removal	
■BA_, BS_, BF_ types	6
■BP_, BV_ types	6
5.2 Inspection	7
5.3 Installation	
■B_C, B_N, B_E, B_V, B_H, B_S types	7
■B_T types	8
6. Throat bearing and Pilot valve	
6.1 Removal	9
6.2 Inspection	9
6.3 Installation	9
7. C Spool valve assembly	
7.1 Removal	10
7.2 Inspection	11
7.3 Installation	11
8. Retightening of Tie rods	12

1. Principles of operation

There are two diaphragms fixed to the center rod, one at each end. When compressed air is supplied to air chamber b (right side, see Fig.1.1), the center rod moves to the right, the material in material chamber B is pushed out, and at the same time material is sucked into material chamber A.

When the center rod is moved full-stroke to the right, the air switch valve is switched, compressed air is sent to air chamber a (left side, see Fig.1.2), and the center rod moves to the left. The material in material chamber A is pushed out, and at the same time material is sucked into material chamber B.

Through repetition of this operation, material is repeatedly taken in and discharged out.



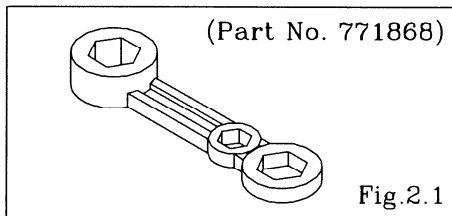
2. Tools, etc.

2.1 General tools

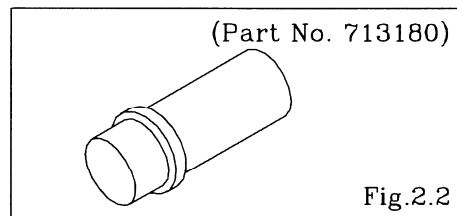
- Socket wrenches 13mm, 17mm, 19mm (except with the NDP-40 BP_, BV_), 24mm (BA_, BS_, BF_)
- Hexagonal box wrenches 5mm, 6mm
- Small crowbars 2 (B_C, B_N, B_E, B_V)
- Open-end wrenches 17mm (NDP-40 BP_, BV_), 19mm (BA_, BS_, BF_), 24mm (BA_, BS_, BF_)
- Plastic hammer

2.2 Special tools

- PP wrench (sold separately)
Purpose: Removing the center disk of BP_ and BV_ types



- Sleeve remover (sold separately)
Purpose: For removing sleeve



2.3 Misc.

- Assembly oil Turbine oil none addition class 1(equivalent ISO VG32 grade)
- Nuts M16 X 1.5
- Thread locker
- Grease Urea grease grade (NLGI) No. 2

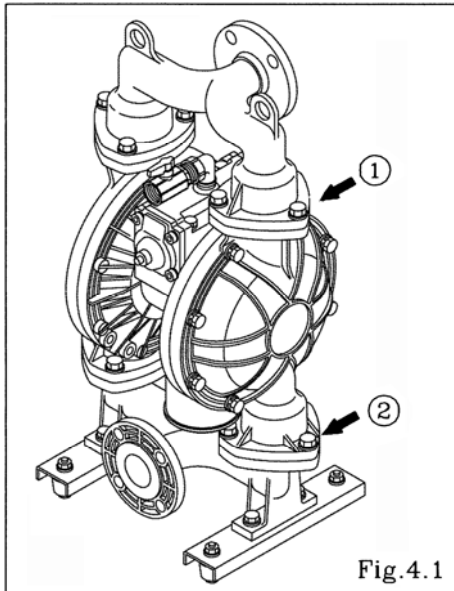
3. Ordering Replacement parts

For accurate and speedy shipment of parts, be sure to order the right parts for your model to distributor. Indicate the part numbers, descriptions, and quantities.

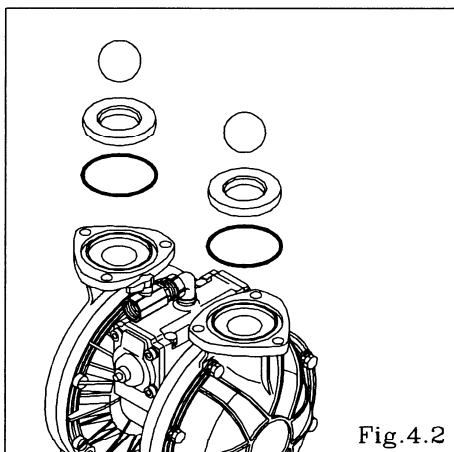
4. Balls and Valve seats

4.1 Removal

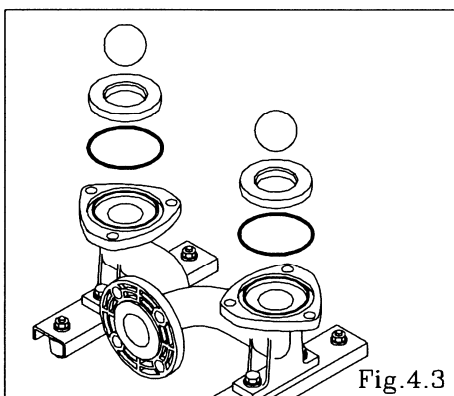
■ BA_, BS_, BF_ types



- Remove the 6 (8 on the NDP-80) retainer bolts “1” from the out manifold, and remove the out manifold. [Fig.4.1]

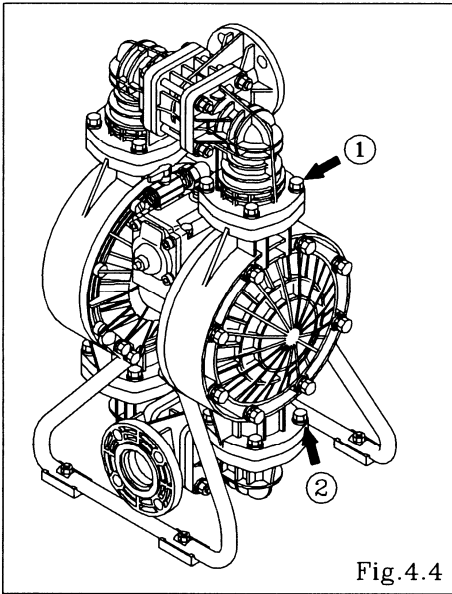


- Remove the ball, valve seat and O ring. [Fig.4.2]

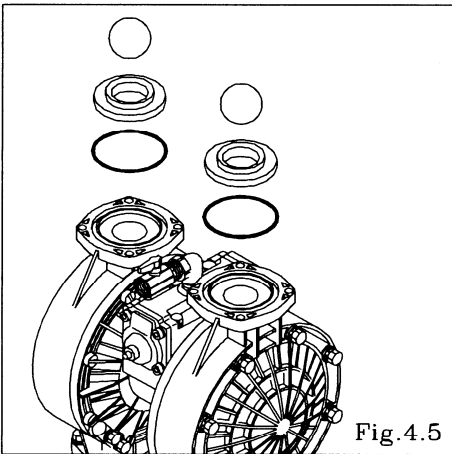


- Remove the 6 (8 on the NDP-80) retainer bolts “2” from the in manifold, and remove the in manifold. [Fig.4.1]
- Remove the ball, valve seat and O ring. [Fig.4.3]

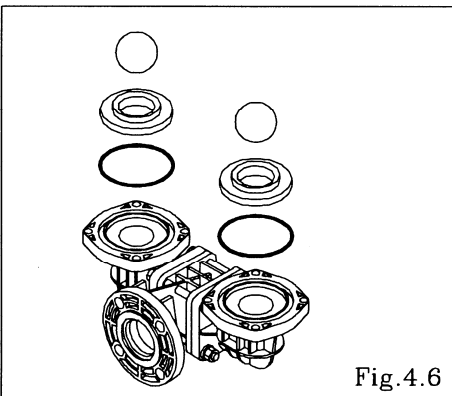
■ NDP-40 BP_·BV_ type



- Remove the 8 retainer bolts “1” from the out manifold, and remove the out manifold. [Fig.4.4]

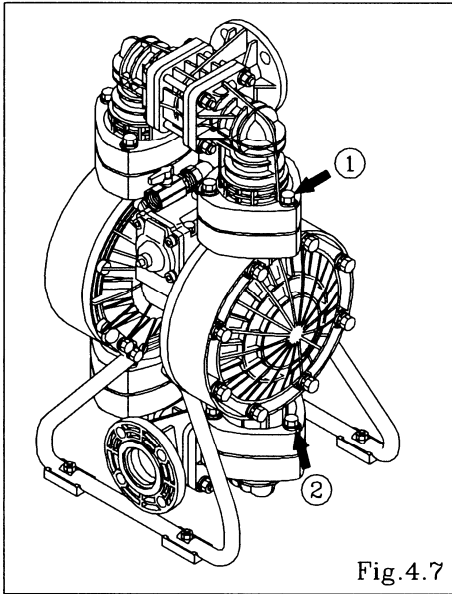


- Remove the ball, valve seat and O ring. [Fig.4.5]

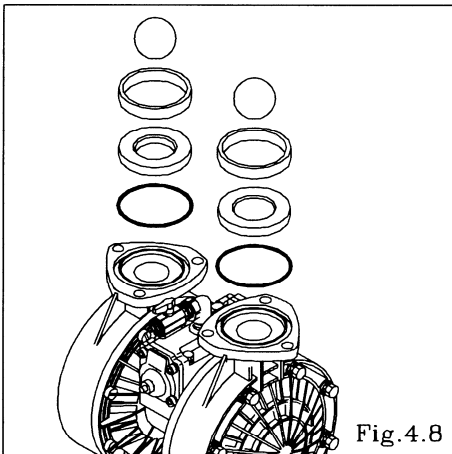


- Remove the 8 retainer bolts “2” from the in manifold, and remove the in manifold. [Fig.4.4]
- Remove the ball, valve seat and O ring. [Fig.4.6]

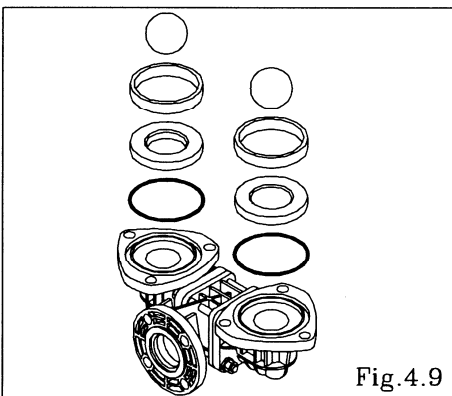
■ NDP-50 BP_·BV_, NDP-80 BP_ types



- Remove the 6 (8 on the NDP-80) retainer bolts “1” from the out manifold, and remove the protector and out manifold. [Fig.4.7]

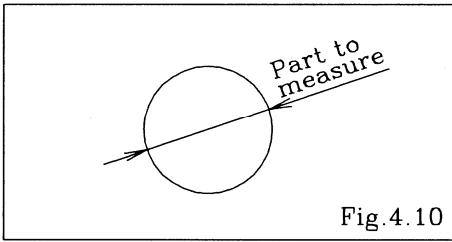


- Remove the ball, valve guide (only NDP-80), valve seat and O ring. [Fig.4.8]



- Remove the 6 (8 on the NDP-80) retainer bolts “2” from the in manifold, and remove the protector and in manifold. [Fig.4.7]
- Remove the ball, valve guide (only NDP-80), valve seat and O ring. [Fig.4.9]

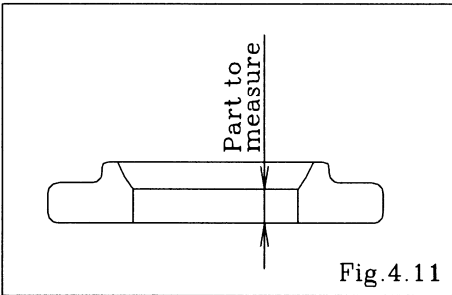
4.2 Inspection



- Ball [Fig.4.10]
Measure the outside diameter, and if it is outside the usable range, replace the ball.

Usable range of ball

NDP-40	Sø1.772 ~ Sø2.028 in {Sø45.0 ~ Sø51.5 mm}
NDP-50	Sø2.232 ~ Sø2.555 in {Sø56.7 ~ Sø64.9 mm}
NDP-80	Sø3.189 ~ Sø3.650 in {Sø81.0 ~ Sø92.7 mm}



- Valve seat [Fig.4.11]
Measure the dimension shown at left, and if it is outside the usable range, replace the seat.

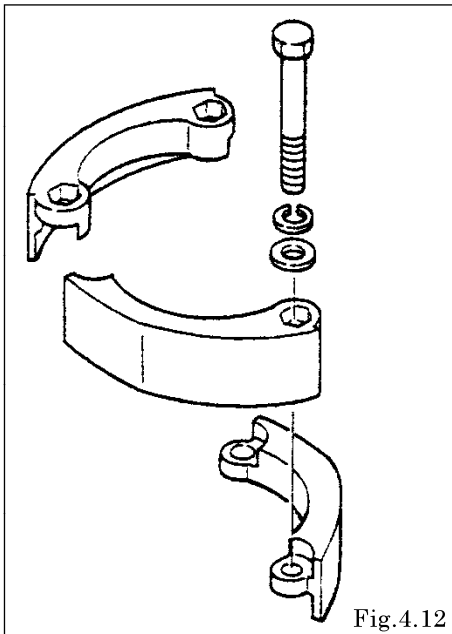
Usable range of valve seat

	B_C, B_N, B_E B_V, B_H, B_S	B_T
NDP-40	0.181 ~ 0.453 in {4.6 ~ 11.5 mm}	0.067 ~ 0.165 in {1.7 ~ 4.2 mm}
NDP-50	0.197 ~ 0.492 in	
NDP-80	{5.0 ~ 12.5 mm}	

- O ring (other than PTFE)
If O ring is worn out or cracked, replace it.

4.3 Installation

For installation, see [Exploded View] on the separate sheet and install in the reverse order of disassembly.



Tightening torque for manifold retainer bolts

	BA, BS	BP, BV
NDP-40	18 ft-lbf {25 N-m}	15 ft-lbf {20 N-m}
NDP-50	18 ft-lbf {25 N-m}	
NDP-80		

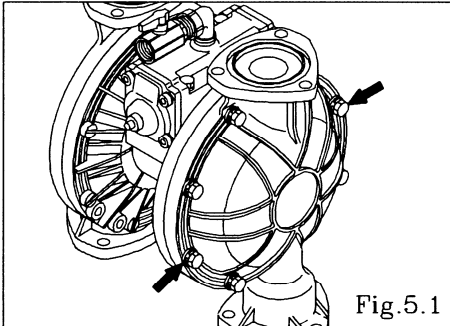
<NOTE>

- Make sure there is no dust on the seal surface and the seal is not damaged.
- Replace the PTFE O ring regardless of its condition.
- Match the convex and concave parts of the protector. [Fig.4.12] (NDP-50 BP_BV_, NDP-80 BP_)

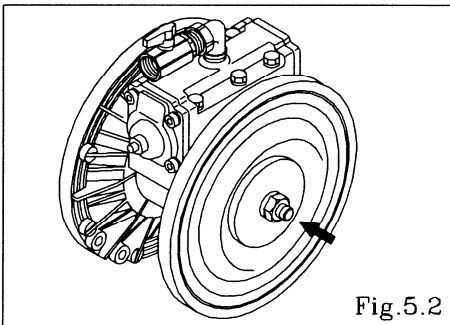
5. Diaphragm and Center rod

5.1 Removal

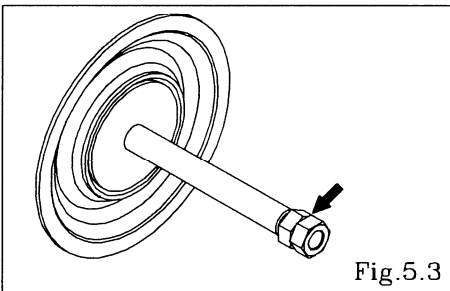
■BA_, BS_, BF_ types



- Remove the ball and valve seat etc. (see [4.1 Removal BA_, BS_, BF_ types])
- Remove the 16 (24 on the NDP-80) retainer bolts from the out chamber, and remove the out chamber. [Fig.5.1]

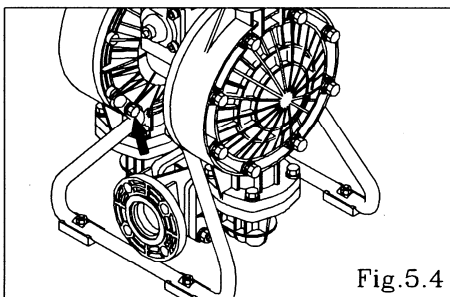


- Remove the nuts on both sides of the center rod. [Fig.5.2]
- After the nut on one side have been removed, remove the center disk and diaphragm. Remove the diaphragm, center disk and center rod from the opposite side of the main body.

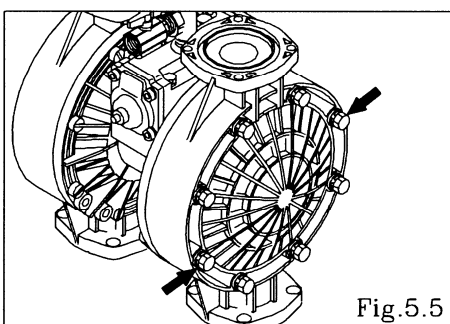


- Remove the nut on the opposite side using the double nut. [Fig.5.3]
- Remove the coned disk spring, center disk and diaphragm.

■BP_, BV_ types



- Remove the ball etc. (see [4.1 Removal BP_, BV_ types]).
- Remove the 8 (4 on the NDP-40) retainer bolts from the stand body, and remove the stand body. [Fig.5.4]



- Remove the 16 (24 on the NDP-80) retainer bolts from the out chamber, and remove the out chamber. [Fig.5.5]

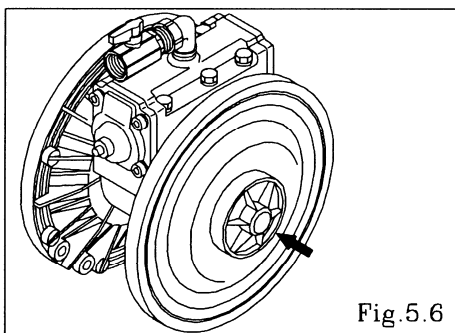


Fig.5.6

- Remove the center disk from one side using the PP wrench (special tool: Part No. 771868). [Fig.5.6]
- After the center disk (outside) has been removed, remove the diaphragm and the center disk (inside).

Remove the center disk and center rod from the opposite side of the main body.

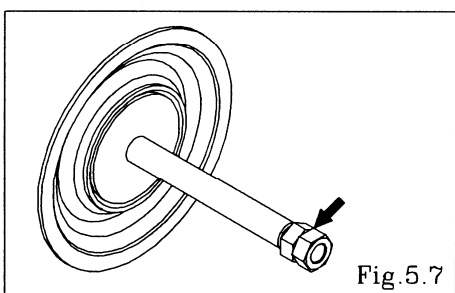


Fig.5.7

- Fix a double nut to one end of the center rod and take the diaphragm and center disk off the opposite end. [Fig.5.9]
- Be careful not to scratch or score the center rod.

5.2 Inspection

- Diaphragm

If the diaphragm is worn out or damaged, replace it.
New replace just one diaphragm.

Guideline of diaphragm life

CR, NBR, EPDM	10,000,000 cycle
FKM	2,500,000 cycle
PTFE	3,000,000 cycle
TPEE, TPO	15,000,000 cycle

(When used with clean water at room temperature)

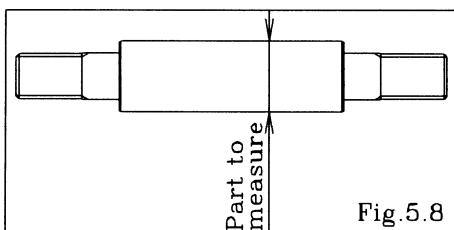


Fig.5.8

- Center rod [Fig.5.8]

Measure the diameter, and if it is outside the usable range, replace the rod.

Usable range of center rod

$\varnothing 0.9815 \sim \varnothing 0.9843$ in { $\varnothing 24.93 \sim \varnothing 25.00$ mm}
--

5.3 Installation

■ B_C, B_N, B_E, B_V, B_H, B_S types

For installation, see [Exploded View] on the separate sheet and install in the reverse order of disassembly.

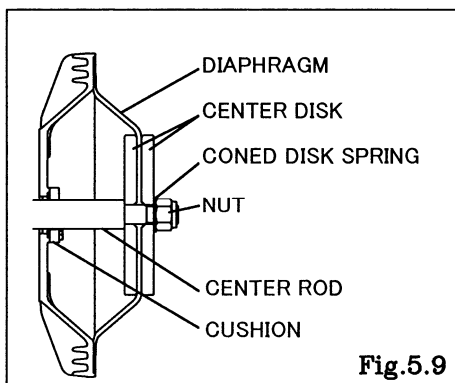


Fig.5.9

- Apply assembly grease to the center rod, and insert it into the main body.
- Insert the cushion (except with the NDP-80). (cf. Fig.5.9)
- Keep the marking "OUTSIDE" to liquid end for CR, NBR, EPDM, FKM diaphragms. Keep the convex side to the outside for TPEE, TPO diaphragms.
- Tighten the center disk using the PP wrench (special tool: Part No.771868) for the BP_, BV_ types. Apply proper Thread locker to the thread of center disk.

(No coned disk springs and nuts are needed.)

Tightening torque for center rod

BA_, BS_, BF_	43 ft-lbf {60 N-m}
BP_, BV_	36 ft-lbf {50 N-m}

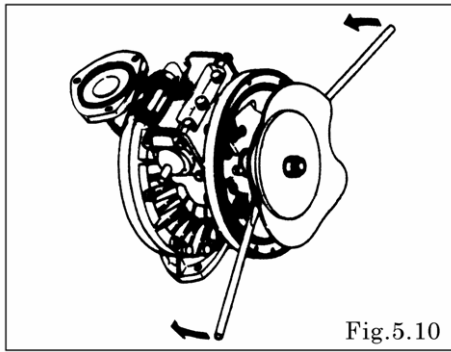


Fig.5.10

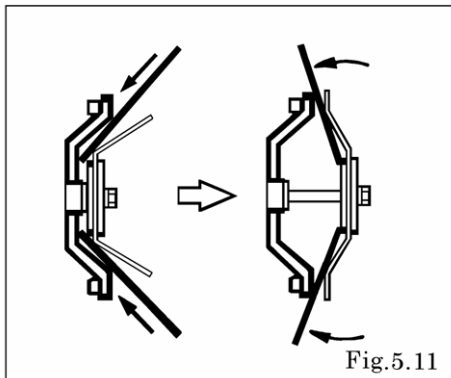


Fig.5.11

- Draw the center disk to one side (exclude B_H, B_S type cf. Fig. 5.9).
- And install the out chamber. Tighten the bolts temporarily.
- Grip the inside center disk using crowbars and draw it to the opposite side, then turn the diaphragm over. (exclude B_H, B_S type) [Fig. 5.10, 5.11]
- And install the out chamber. Tighten the bolts temporarily.
- After installation of the out chambers on both sides, place the pump on a flat surface and stand the pump upright for further assembly.

Tightening torque for out chamber.

BA_, BS_, BF_	29 ft-lbf {40 N-m}
BP_, BV_	26 ft-lbf {35 N-m}

<NOTE>

- Make sure there is no dust on the seal surface in order to prevent seal damaged.
- Be careful not to damage the R portion of the air chamber using a crowbar, etc.
- Tighten the bolts gradually in a diagonal sequence with even torque. (cf. Fig. 5.12)

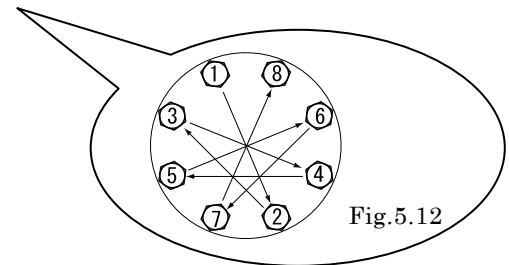


Fig.5.12

■ B_T type

For installation, see [Exploded View] on the separate sheet and install in the reverse order of disassembly.

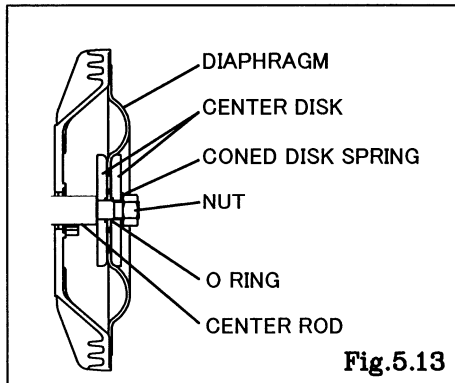


Fig.5.13

- Apply assembly grease to the center rod, and insert it into the main body.
- Keep the convex side to the outside (cf. Fig. 5.13).
- Put the O rings to both sides of the diaphragm. (cf. Fig. 5.13)
- Tighten the center disk using the PP wrench (special tool: Part No. 771868) for the BPT, BVT type. Apply proper Thread locker to the thread of center disk. (No coned disk springs and nuts are needed.)

Tightening torque for center rod

BAT, BST, BFT	43 ft-lbf {60 N-m}
BPT, BVT	36 ft-lbf {50 N-m}

- Tighten the out chamber temporarily at first. After installation of the out chambers on both sides, place the pump on a flat surface and stand the pump upright for further assembly.

Tightening torque for out chamber

BAT, BST, BFT	29 ft-lbf {40 N-m}
BPT, BVT	26 ft-lbf {35 N-m}

<NOTE>

- Make sure there is no dust on the seal surface in order to prevent seal damaged.
- Replace the PTFE O ring by new one.
- Tighten the bolts gradually in a diagonal sequence with even torque. (cf. Fig. 5.14)

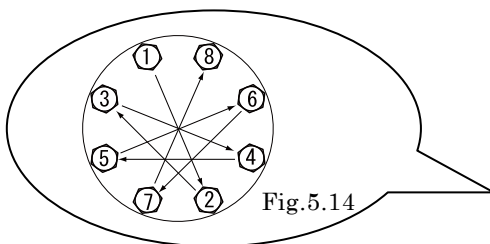
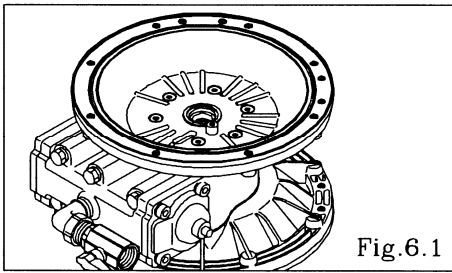


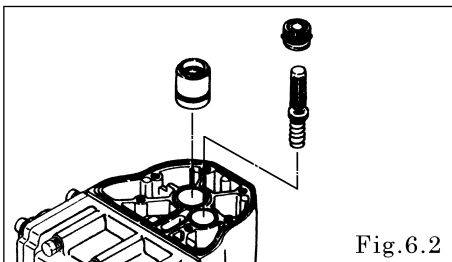
Fig.5.14

6. Throat bearing and Pilot valve

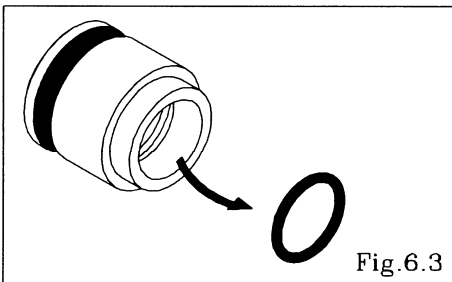
6.1 Removal



- Remove the diaphragm and center rod (see [5.1 Removal]).
- Remove the 12 retainer bolts from the air chamber, and remove the air chamber. [Fig.6.1]

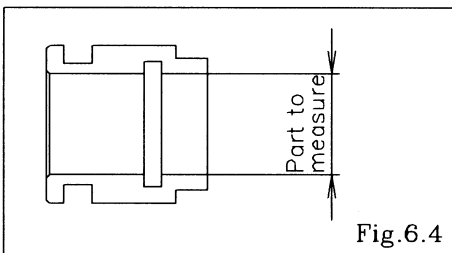


- Draw out the pilot valve and valve seat. [Fig.6.2]
- Draw out the throat bearing. [Fig.6.2]



- Remove the packing from the throat bearing. [Fig.6.3]

6.2 Inspection



- Throat bearing [Fig.6.4]
Measure the inside diameter, and if it is outside the usable range, replace the throat bearing

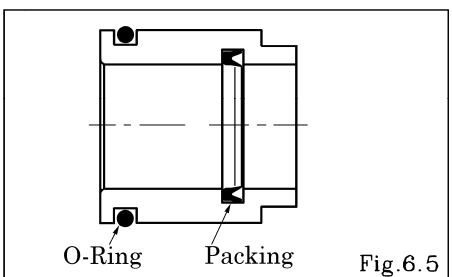
Usable range of throat bearing

$\varnothing 0.9859 \sim \varnothing 0.9902$ in { $\varnothing 25.04 \sim \varnothing 25.15$ mm}

- O ring, Packing
If the O ring is worn out or cracked, replace it.
- Pilot valve
If the pilot valve is worn out or cracked, replace it.

6.3 Installation

For installation, see [Exploded View] on the separate sheet and install in the reverse order of disassembly.



Tightening torque for air chamber retainer bolts

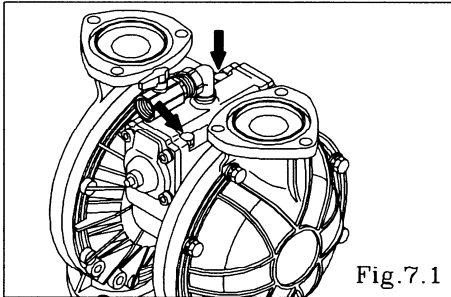
15 ft-lbf {20 N-m}

<NOTE>

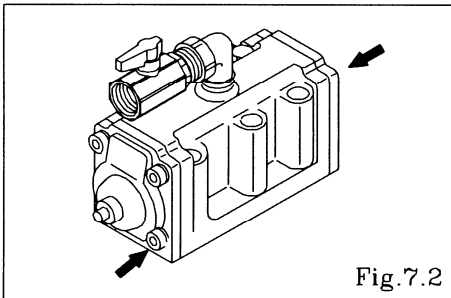
- Make sure there is no dust on the seal surface and the seal is not damaged.
- Apply grease to packing.

7. C spool valve assembly

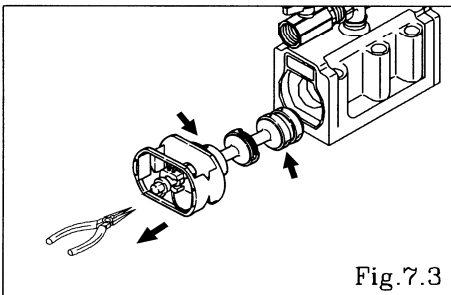
7.1 Removal



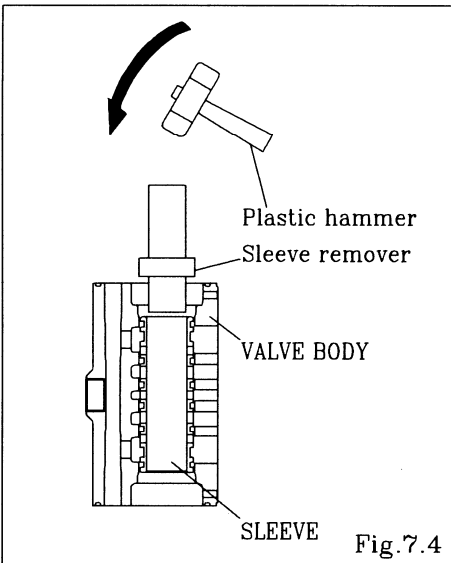
- Remove the out manifold (see [4.1 Removal]).
- Remove the 6 retainer bolts from the valve body, and remove the valve body. [Fig.7.1]



- Remove the 8 cap A and cap B retainer bolts, and remove cap A and cap B. [Fig.7.2]



- Draw out the C spool valve assembly, and remove the seal ring from the C spool valve assembly.
- Remove the spring stopper. [Fig.7.3]



- Remove the sleeve using the sleeve remover (special tool: Part number 713180). [Fig.7.4]

7.2 Inspection

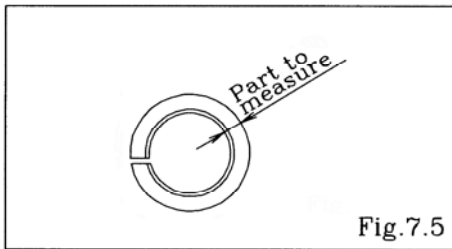


Fig.7.5

- C Spool Valve Assembly

Seal ring [Fig.7.5]

Measure the inside thick diameter, and if it is outside the usable range, replace the C Spool Valve Assembly.

If the seal ring is worn out or cracked, replace C Spool Valve Assembly.

Usable range of Seal ring

0.1484 ~ 0.1516 in {3.77 ~ 3.85 mm}

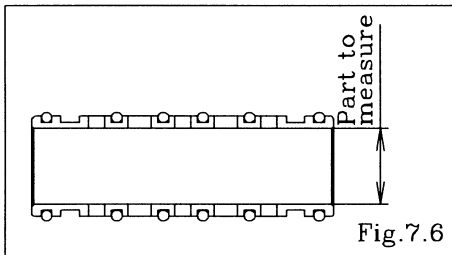


Fig.7.6

- Sleeve Assembly [Fig.7.6]

Measure the inside diameter, and if it is outside the usable range, replace the c spool valve assembly.

Usable range of sleeve

ø1.305 ~ ø1.313 in {ø33.15 ~ ø33.35 mm}

- O ring

If the O ring is worn out or cracked, replace it.

<NOTE>

- C Spool Valve Assembly must be replaced as a complete set. Unable to replace individual component.

7.3 Installation

For installation, see [Exploded View] on the separate sheet and install in the reverse order of disassembly.

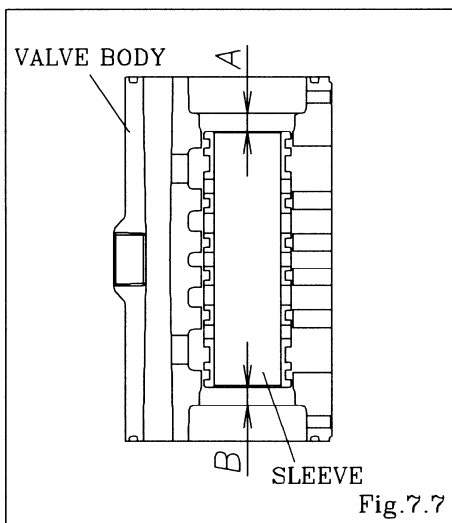


Fig.7.7

- Install the sleeve using the sleeve remover (special tool: Part No. 713180). At this point, apply assembly oil around the sleeve and O ring.
- Install the sleeve at the center of the valve body. (A = B)

Tightening torque for installation cap A, cap B

8 ft-lbf {10 N-m}

Tightening torque for valve body installation bolts

12 ft-lbf {17 N-m}

<NOTE>

- Make sure there is no dust on the seal surface and it is not damaged.

8. Retightening of Tie rods

■ Plastic type

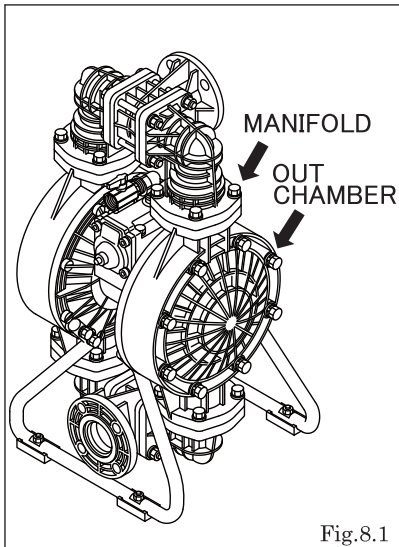


Fig.8.1

- All bolts should be retorqued:
 - (1) Right before start up.
 - (2) There are any leaks of material on daily inspecting a pump.

		Retain bolts for the out chamber	Retain bolts for the manifold
NDP-40.50.80	BP_	26 ft-lbf {35 N-m}	15 ft-lbf {20 N-m}
NDP-40.50	BV_		

<NOTE>

- Retighten the Out chamber and then the manifold in this order. [Fig.8.1]
- Tighten the bolts in the order shown. [Fig.8.2]

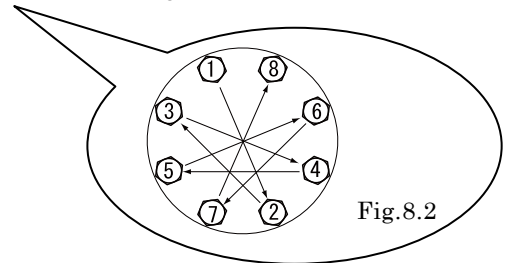


Fig.8.2

■ Metal type

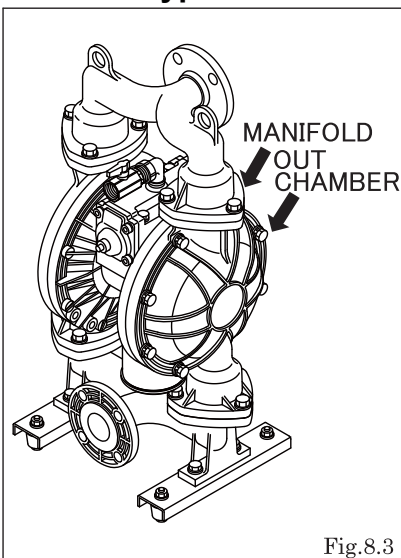


Fig.8.3

- All bolts should be retorqued:
 - (1) Right before start up.
 - (2) There are any leaks of material on daily inspecting a pump.

		Retain bolts for the out chamber	Retain bolts for the manifold
NDP-40.50.80	B_C, B_N B_E, B_V B_T, B_H B_S	29 ft-lbf {40 N-m}	15 ft-lbf {20 N-m}

<NOTE>

- Retighten the Out chamber and then the manifold in this order. [Fig.8.3]
- Tighten the bolts in the order shown. [Fig.8.4]

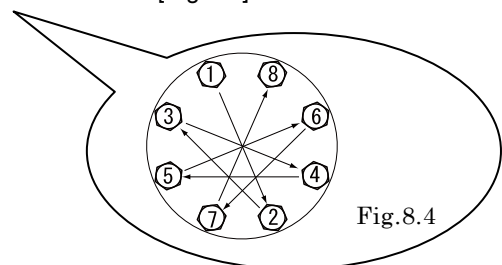


Fig.8.4

YAMADA AMERICA, INC

955 E. ALGONQUIN RD., ARLINGTON HEIGHTS, IL 60005, USA
PHONE: 1-847-631-9200 or 1-800-990-7867 (Toll Free) FAX : 1-847-631-9273
www.yamadapump.com

Manufactured by:

YAMADA CORPORATION

International Department
1-1-3 CHOME, MINAMI MAGOME, OHTA-KU, TOKYO, 143-8504, JAPAN
PHONE : +81-(0)3-3777-0241 FAX : +81-(0)3-3777-0584